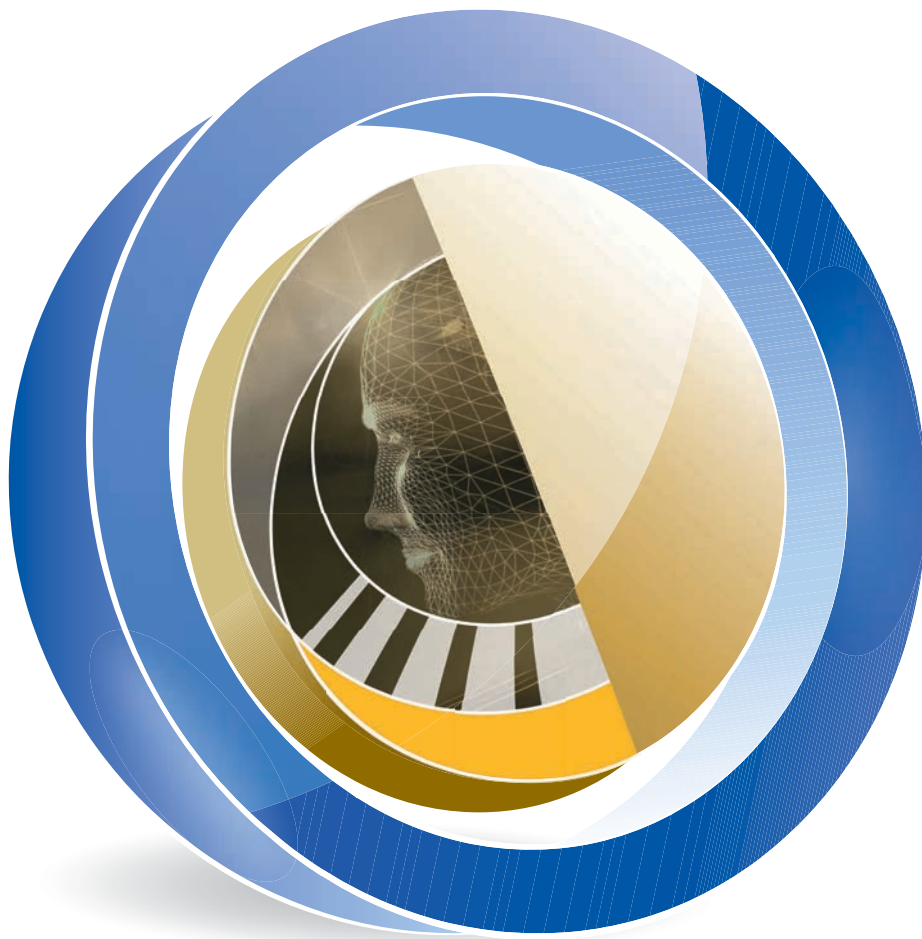


Highlights 2018

Edition 1/2018



Neurosurgery

STORZ
KARL STORZ – ENDOSKOPE





LOTTA® System for Intracranial Neurosurgery

Special Features:

- Two unique ventriculoscopes – sheath diameter 4.5 mm and 6.8 mm – for the entire range of endoscopic intracranial procedures
- 6° angle of view for direct visual control of instruments after exiting the working channel
- Perfectly coordinated instrument sets for LOTTA® and LITTLE LOTTA®
- A wide range of support features such as, for example, possibility of rotation in the sheath and instruments with length markings for controlled application

Visualization and Access

LOTTA®

- 28164 LA **LOTTA® Ventriculoscope with HOPKINS® Wide Angle Straight Forward Telescope 6°**, angled eyepiece, outer diameter 6.1 mm, length 18 cm, working channel diameter 2.9 mm, irrigation/suction channel diameter 1.6 mm, **autoclavable**, fiber optic light transmission incorporated, color code: green
- 28164 LS **Operating Sheath**, graduated, rotating, outer diameter 6.8 mm, working length 13 cm, for use with LOTTA® Ventriculoscope 28164 LA
- 28164 LO **Obturator**, for use with Operating Sheaths 28164 LS and 28164 LSB
- 28164 LP **Optical Obturator**, for positioning Operating Sheaths 28164 LS and 28164 LB under visual control, for use with HOPKINS® Telescope 28008 AA
- 28008 AA **HOPKINS® Straight Forward Telescope 0°**, enlarged view, diameter 2 mm, length 26 cm, **autoclavable**, fiber optic light transmission incorporated, color code: green

LITTLE LOTTA®

- 28164 LLA **LITTLE LOTTA® Ventriculoscope**, HOPKINS® wide angle straight forward telescope 6°, small, angled eyepiece, outer diameter 3.6 mm, length 18 cm, with working channel diameter 1.6 mm, irrigation/suction channel diameter 0.8 mm, **autoclavable**, with cleaning adaptor, fiber optic light transmission incorporated, for use with small Operating Sheath 28164 LLS, color code: green
- 28164 LLS **Operating Sheath**, small, outer diameter 4.5 mm, working length 13.3 cm, for use with LITTLE LOTTA® Ventriculoscope 28164 LLA
- 28164 LLO **Obturator**, for use with Operating Sheath 28164 LLS
- 28164 LLP **Optical Obturator**, for use with Operating Sheath 28164 LLS and Telescope 28008 AA

Management of Bleeding

LOTTA®

- 28164 BDV **TAKE-APART® Bipolar Forceps**, long, with flat jaws, outer diameter 2.4 mm
- 28762 KB **Bipolar Coagulation Electrode**, diameter 1.7 mm, working length 30 cm

LITTLE LOTTA®

- 28161 SF **Bipolar Coagulation Electrode**, diameter 1.3 mm, working length 30 cm

Dissection and Closure

LOTTA®

- 28164 LB **CLICKLINE Scissors**, pointed, rotating, dismantling, with LUER-Lock irrigation connector for cleaning, single action jaws, diameter 2 mm, working length 30 cm
- 28164 LC **CLICKLINE Biopsy Forceps**, rotating, dismantling, with LUER-Lock irrigation connector for cleaning, double action jaws, diameter 2 mm, working length 30 cm
- 28164 LD **CLICKLINE Forceps**, for ventriculostomy, rotating, dismantling, with LUER-Lock irrigation connector for cleaning, single action jaws, diameter 2 mm, working length 30 cm
- 28164 LE **CLICKLINE Grasping Forceps**, rotating, dismantling, with LUER-Lock irrigation connector for cleaning, double action jaws, diameter 2 mm, working length 30 cm

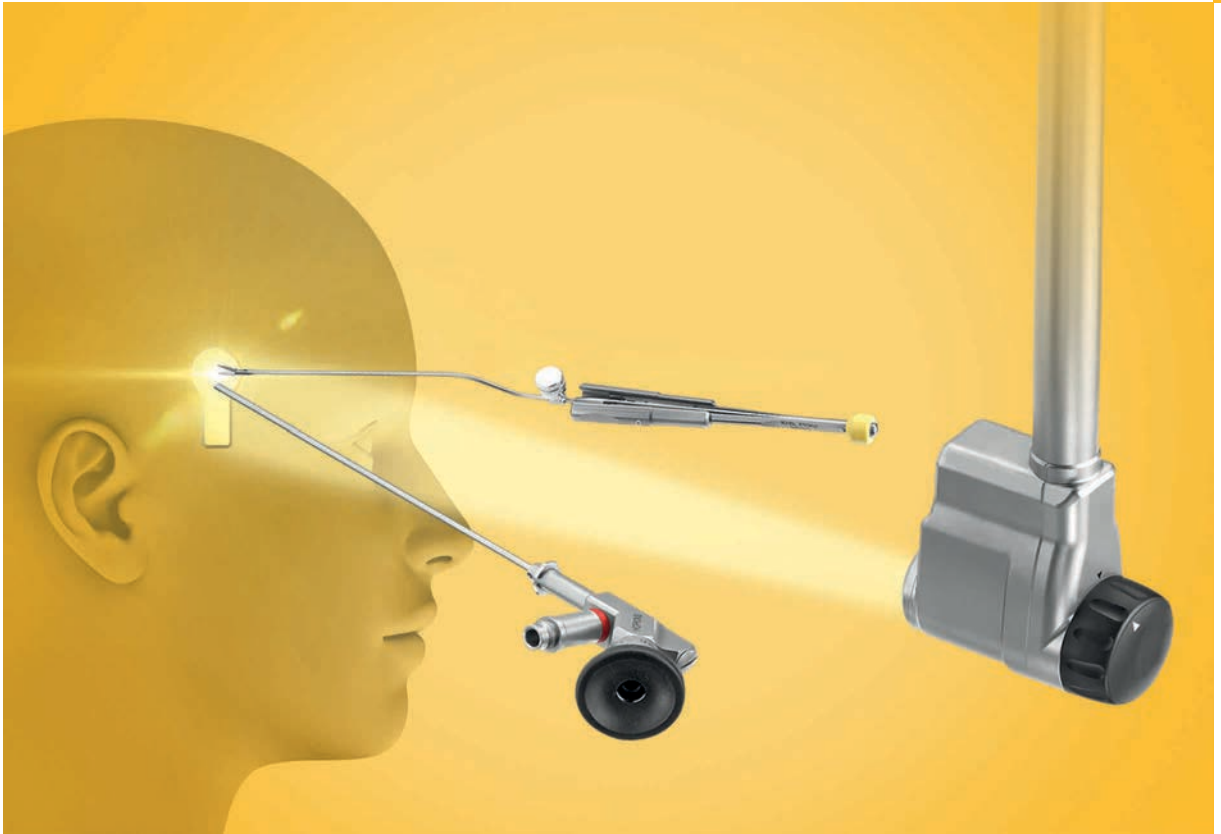
LITTLE LOTTA®

- 28161 SC **Scissors**, single action jaws, semirigid, diameter 1.3 mm, working length 30 cm
- 28161 SB **Biopsy Forceps**, double action jaws, diameter 1.3 mm, working length 30 cm
- 28160 ZJ **Biopsy Forceps**, double action jaws, flexible, diameter 1 mm, working length 30 cm
- 28160 TV **Forceps**, for ventriculostomy, flexible, double action jaws, diameter 1 mm, working length 30 cm
- 28161 SG **Grasping Forceps**, double action jaws, semirigid, diameter 1.3 mm, working length 30 cm

General Instruments

- 533 TV **Adaptor**, permits telescope changing under sterile conditions
- 28272 RKA **Holding System, autoclavable**

The full set configuration is available in the Neurosurgery catalog.



Visualization and Instruments for Keyhole Neurosurgery

- À la carte concept for efficient compilation of a customized instrument set
- VITOM® 3D system – a revolutionary solution for the visualization of microsurgical and open surgical interventions
- Angled 2D telescopes with thin diameters for space-saving keyhole neurosurgery
- TIPCAM®1 S 3D NEURO – 3D endoscopy in 0° and 30°
- Delicate and ergonomic single-sheath micro instruments with straight or bayonet-shaped design
- Unique TAKE-APART® bipolar forceps with various inserts

Visualization

VITOM® 3D

- TH 200 **VITOM® 3D**, with zoom and focus function, integrated illumination and horizontal alignment, working distance 20-50 cm, fiber optic light transmission incorporated, wipe-disinfectable, for use with IMAGE1 S CONNECT™ + IMAGE1 S D3-LINK™ + IMAGE1 PILOT
- 28272 HSP **VERSACRANE™ Holding Arm**, high, mobile, spring-supported, with quick release coupling KSLOCK, for use with KARL STORZ clamping jaws. The VERSACRANE™ holding arm is not intended for use with VITOM® telescopes, including:
Mobile Stand, for VERSACRANE™ holding arm

3D Endoscopy

- 28164 AA3D* **TIPCAM®1 S 3D NEURO**, direction of view 0°, diameter 4 mm, length 18 cm, two FULL HD image sensors, **autoclavable**, S-Technologies available, freely programmable camera head buttons, including video connecting cable, for use with IMAGE1 S™
- 28164 BA3D* **TIPCAM®1 S 3D NEURO**, direction of view 30°, diameter 4 mm, length 18 cm, two FULL HD image sensors, **autoclavable**, S-Technologies available, freely programmable camera head buttons, including video connecting cable, for use with IMAGE1 S™

2D Endoscopy

- 28162 AKA **HOPKINS® Straight Forward Telescope 0°**, enlarged view, diameter 2.7 mm, length 20 cm, **autoclavable**, angled eyepiece, fiber optic light transmission incorporated, color code: green
- 28162 BKA **HOPKINS® Forward-Oblique Telescope 30°**, enlarged view, diameter 2.7 mm, length 20 cm, **autoclavable**, angled eyepiece, fiber optic light transmission incorporated, color code: red
- 28162 FKA **HOPKINS® Forward-Oblique Telescope 45°**, enlarged view, diameter 2.7 mm, length 20 cm, **autoclavable**, angled eyepiece, fiber optic light transmission incorporated, color code: black
- 28162 CKA **HOPKINS® Lateral Telescope 70°**, enlarged view, diameter 2.7 mm, length 20 cm, **autoclavable**, angled eyepiece, fiber optic light transmission incorporated, color code: yellow

Management of Bleeding

Irrigation Sheaths

- 28164 CBA **Irrigation Sheath**, outer diameter 5 mm, working length 14 cm, for use with 28164 AA3D
- 28164 CBB **Same**, for use with 28164 BA3D
- 28164 CAK **Irrigation Sheath**, outer diameter 3.8 mm, working length 15 cm, for use with 28162 AKA
- 28164 CBK **Same**, for use with 28162 BKA
- 28164 CFK **Same**, for use with 28162 FKA
- 28164 CCK **Same**, for use with 28162 CKA

Bipolar Forceps

- 28164 BDB **TAKE-APART® Bipolar Forceps**, short, rounded tip, width 2 mm, outer diameter 3.4 mm, working length 14 cm
- 28164 BDC **TAKE-APART® Bipolar Forceps**, short, pointed tip, width 2 mm, outer diameter 3.4 mm, working length 14 cm

*Currently not available on CE markets

- 28164 BPA **Bipolar Coagulation Forceps**, insulated, bayonet-shaped, blunt, tip 0.7 mm, working length 12 cm, total length 23 cm
- 28164 BPB **Same**, tip 0.7 mm, working length 14 cm, total length 25 cm
- 28164 BPC **Same**, tip 0.3 mm, working length 12 cm, total length 23 cm

Suction Tubes

- 28164 XB **Suction Tube**, with cut-off hole, drop-shaped, with distance markings, LUER, conical distal end, 6 Fr., working length 15 cm
- 28164 XA **Same**, 8 Fr.
- 28164 XC **Suction Tube**, with cut-off hole, drop-shaped, with distance markings, LUER, conical distal end, tip curved upwards, ball end, 2.4 mm, working length 15 cm
- 28164 XE **Suction Tube**, with cut-off hole, drop-shaped, with distance markings, LUER, conical distal end, malleable, 6 Fr., working length 15 cm
- 28164 XD **Same**, 8 Fr.

Access, Dissection and Closure

SEPEHRNIA Micro Forceps

- 28164 PBA **Micro Grasping Forceps**, bayonet-shaped, straight jaws, smooth, 0.5 mm, working length 10 cm
- 28164 PBC **Micro Grasping Forceps**, bayonet-shaped, straight jaws, serrated, 3 mm, working length 10 cm
- 28164 PBD **Micro Grasping Forceps**, bayonet-shaped, jaws curved to left, 0.75 mm, working length 10 cm
- 28164 PBB **Micro Forceps**, bayonet-shaped, spoon, 2 mm, working length 10 cm
- 28164 PBE **Micro Forceps**, bayonet-shaped, spoon, 4 mm, working length 10 cm
- 28164 PBF **Micro Forceps**, bayonet shaped, spoon, 6 mm, working length 10 cm
- 28164 PBG **Micro Forceps**, bayonet-shaped, spoon horizontal, 2 mm, working length 10 cm
- 28164 PBH **Micro Forceps**, bayonet-shaped, spoon horizontal, 4 mm, working length 10 cm
- 28164 PBI **Micro Forceps**, bayonet-shaped, spoon horizontal, 6 mm, working length 10 cm

SEPEHRNIA Micro Scissors

- 28164 SBA **Micro Scissors**, bayonet-shaped, sharp/sharp, cutting edges straight, working length 10 cm
- 28164 SBB **Micro Scissors**, bayonet-shaped, sharp/sharp, cutting edges curved to left, working length 10 cm
- 28164 SBC **Micro Scissors**, bayonet-shaped, blunt/blunt, cutting edges straight, working length 10 cm
- 28164 SBD **Micro Scissors**, bayonet-shaped, sharp/sharp, cutting edges curved to right, working length 10 cm
- 28164 SBE **Micro Scissors**, bayonet-shaped, sharp/sharp, cutting edges horizontal, working length 10 cm

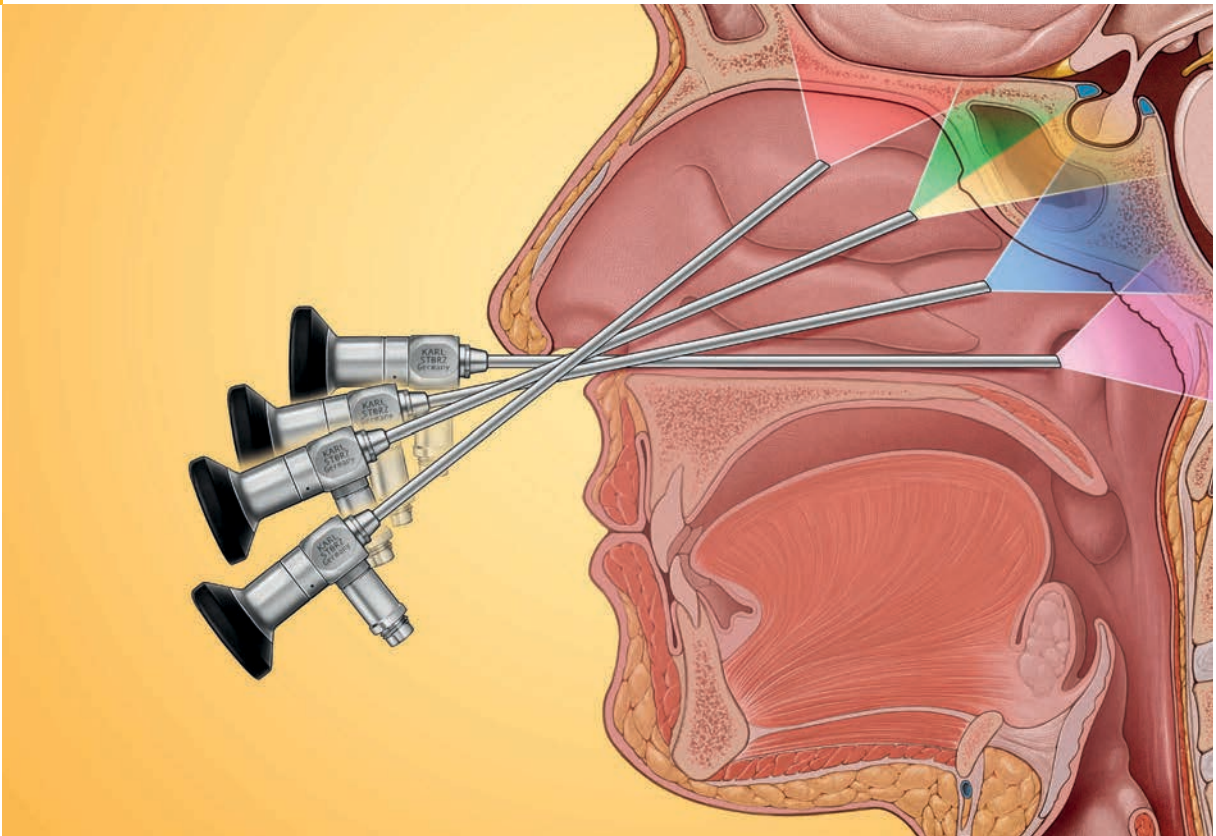
SEPEHRNIA Micro Needle Holders

- 28164 NBB **Micro Needle Holder**, bayonet-shaped, straight jaws, 2 x 6 mm, working length 10 cm
- 28164 NBC **Micro Needle Holder**, bayonet-shaped, jaws curved to left, 1 x 6 mm, working length 10 cm

Armrest

- 28272 AR **Armrest**, rotating, for use with mechanical holding systems with KSLOCK

The full set configuration is available in the Neurosurgery catalog.



Visualization and Instruments for Endonasal Skull Base Surgery

- À la carte concept for efficient compilation of a customized instrument set
- Diverse 2D telescopes with different directions of view
- TIPCAM®1 S 3D NEURO – 3D endoscopy in 0° and 30°
- Continuous vision thanks to effective lens cleaning systems
- Wide range of standard instruments such as curettes, dissectors, scissors, hooks and knives

Visualization

3D Endoscopy

28164 AA3D* **TIPCAM®1 S 3D NEURO**, direction of view 0°, diameter 4 mm, length 18 cm, two FULL HD image sensors, **autoclavable**, S-Technologies available, freely programmable camera head buttons, including video connecting cable, for use with IMAGE1 S™

28164 BA3D* **TIPCAM®1 S 3D NEURO**, direction of view 30°, diameter 4 mm, length 18 cm, two FULL HD image sensors, **autoclavable**, S-Technologies available, freely programmable camera head buttons, including video connecting cable, for use with IMAGE1 S™

2D Endoscopy

28132 AA **HOPKINS® Straight Forward Telescope 0°**, enlarged view, diameter 4 mm, length 18 cm, **autoclavable**, fiber optic light transmission incorporated, color code: green

28132 BA **HOPKINS® Forward-Oblique Telescope 30°**, enlarged view, diameter 4 mm, length 18 cm, **autoclavable**, fiber optic light transmission incorporated, color code: red

28132 FA **HOPKINS® Forward-Oblique Telescope 45°**, enlarged view, diameter 4 mm, length 18 cm, **autoclavable**, fiber optic light transmission incorporated, color code: black

28132 CA **HOPKINS® Lateral Telescope 70°**, enlarged view, diameter 4 mm, length 18 cm, **autoclavable**, fiber optic light transmission incorporated, color code: yellow

Management of Bleeding

Irrigation Sheaths

28164 CBA **Irrigation Sheath**, outer diameter 5 mm, working length 14 cm, for use with 28132 AA and 28164 AA3D

28164 CBB **Irrigation Sheath**, outer diameter 5 mm, working length 14 cm, for use with 28132 BA and 28164 BA3D

28164 CBF **Irrigation Sheath**, outer diameter 5 mm, working length 14 cm, for use with 28132 FA

28164 CBC **Irrigation Sheath**, outer diameter 5 mm, working length 14 cm, for use with 28132 CA

Bipolar Forceps

28164 BDN **TAKE-APART® Bipolar Forceps**, rounded tip, width 2 mm, outer diameter 3.4 mm, working length 20 cm

28164 BDM **TAKE-APART® Bipolar Forceps**, with fine jaws, width 1 mm, distally angled 45°, horizontal closing, outer diameter 3.4 mm, working length 20 cm

28164 BDD **TAKE-APART® Bipolar Forceps**, width 2 mm, distally angled 45°, horizontal closing, outer diameter 3.4 mm, working length 20 cm

28164 BDL **TAKE-APART® Bipolar Forceps**, with fine jaws, width 1 mm, distally angled 45°, vertical closing, outer diameter 3.4 mm, working length 20 cm

Suction Tubes

649179 C **Suction Tube**, malleable, with elongated cut-off hole and stylet, LUER, 4 Fr., working length 18 cm

649180 C **Suction Tube**, malleable, with elongated cut-off hole and stylet, LUER, 6 Fr., working length 18 cm

649182 C **Suction Tube**, malleable, with elongated cut-off hole and stylet, LUER, 8 Fr., working length 18 cm

649183 C **Suction Tube**, malleable, with elongated cut-off hole and stylet, LUER, 10 Fr., working length 18 cm

*Currently not available on CE markets

Access, Dissection and Closure

- 28164 DM **Dissector**, sharp, straight tip, slightly curved spatula, with round handle, size 3 mm, length 25 cm
- 28164 DS **Dissector**, sharp, tip angled 15°, with round handle, size 2 mm, length 25 cm
- 28164 DLB **Dissector**, tip angled 45°, size 1 mm, working length 13 cm, total length 23 cm
- 28164 EA CASTELNUOVO **Double Elevator**, semisharp and blunt, length 26 cm
- 28164 EB CASTELNUOVO **Double Elevator**, angled end shovel-shaped, semisharp, blunt end slightly curved, length 26 cm
- 28164 M de DIVITIIS-CAPPABIANCA **Scalpel**, with retractable blade, length 23 cm
- 28164 KK **Same**, sickle-shaped
- 28164 KB **Curette**, round spoon, tip slightly angled, size 2 mm, with round handle, length 25 cm
- 28164 KC **Same**, size 3 mm
- 28164 KLB **Spoon Curette**, angled 45°, size 1 mm, working length 13 cm, total length 23 cm
- 28164 KLC **Same**, angled 90°
- 28164 RE CAPPABIANCA-de DIVITIIS **Ring Curette**, with round wire, malleable, inner diameter 3 mm, tip angled 45°, with round handle, length 25 cm
- 28164 RJ **Same**, inner diameter 5 mm
- Armrest**
- 28272 AR **Armrest**, rotating, for use with mechanical holding systems with KSLOCK

The full set configuration is available in the Neurosurgery catalog.

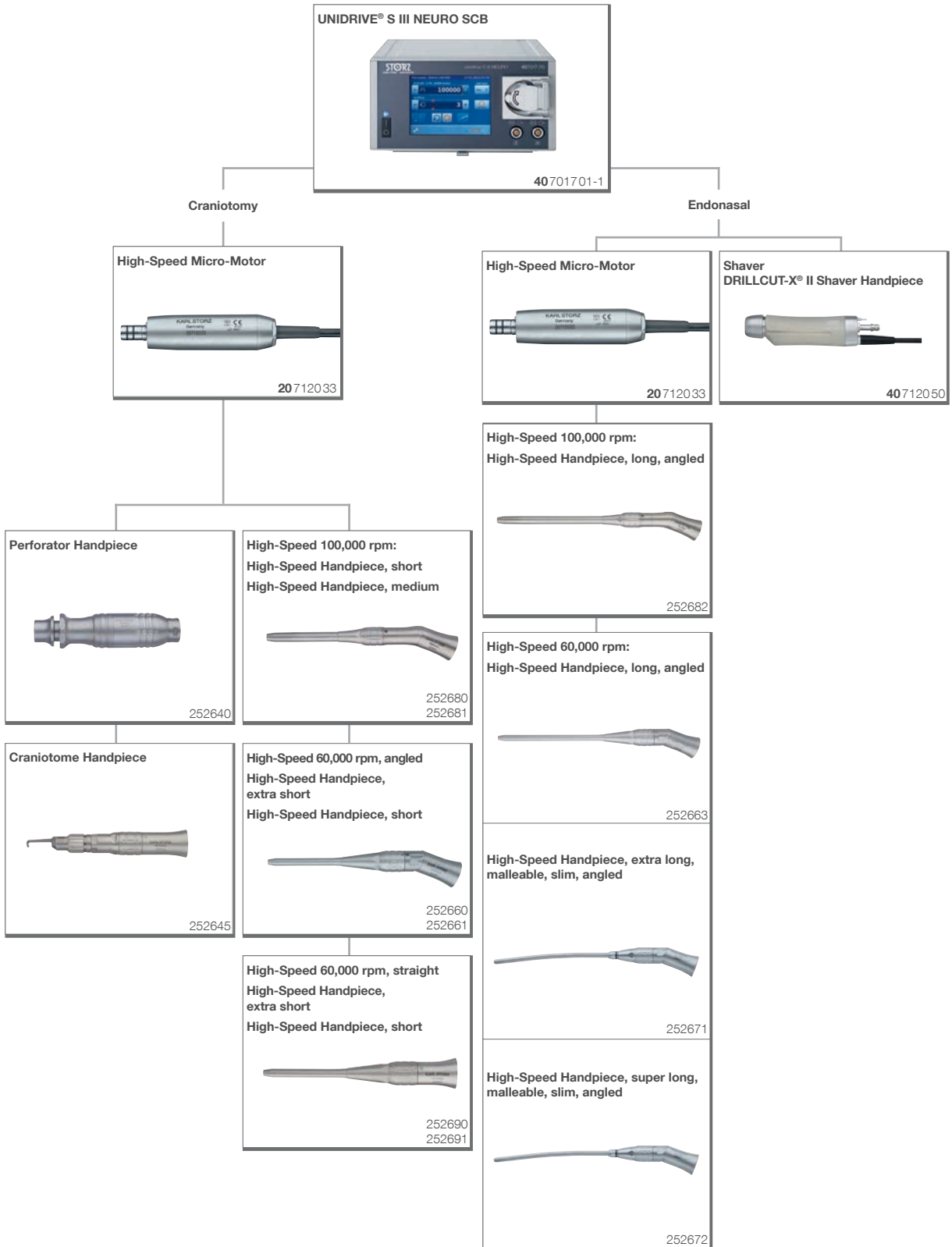


UNIDRIVE® S III NEURO – Multifunctional High-Speed Motor System for Neuro and Spine Surgery

Special Features:

- Continuously variable high-speed handpieces with up to 100,000 rpm
- Wide range of specially developed handpieces and shavers for efficient intraoperative applications
- Clearly arranged menu guidance and rapid program selection thanks to integrated touch screen
- Easy set-up and fast installation for a smooth OR workflow
- For opening the skull and subsequent craniotomy according to individual preferences by means of various dura protector or perforator attachments for the craniotomy handpiece

System Overview





- 40701701-1 UNIDRIVE® S III NEURO SCB**, motor control unit with color display, touch screen, two motor outputs, integrated irrigation pump and integrated SCB module, power supply 100-240 VAC, 50/60 Hz including
- Mains Cord**
 - Irrigator Rod**
 - Two-Pedal Footswitch**
 - SCB Connecting Cable**, length 100 cm
 - Single Use Tubing Set***, sterile, package of 3

Specifications

Touch screen	6.4"/300 cd/m ²
User languages	English, French, German, Spanish, Italian, Portuguese, Greek, Turkish, Polish, Russian
Power supply	100-240 VAC, 50/60 Hz
Dimensions w x h x d	300 x 165 x 265 mm
Weight	5.2 kg
Certified to	IEC 601-1, CE acc. to MDD






Recommended KARL STORZ Standard Set Configuration for Craniotomy

- 40701701-1 UNIDRIVE® S III NEURO SCB**, motor control unit with color display, touch screen, two motor outputs, integrated irrigation pump and integrated SCB module, power supply 100-240 VAC, 50/60 H
- 20712033 High-Speed Micro-Motor**, max. speed 60,000 rpm, including connecting cable
- 252645 Craniotome Handpiece**, max. speed 60,000 rpm, including medium dura protector, for use with High-Speed Micro-Motor **20712033** as well as 3.17 mm craniotome burrs and suitable dura protector
- 252640 Perforator Handpiece**, max. speed 1200 rpm, without perforator blade, Hudson connector, for use with High-Speed Micro-Motor **20712033**

		252645	
	Dura Protector , for use with Craniotome Handpiece 252645		
	pediatric	medium	large
	252646	252647	252648
	High-Speed Craniotome Burr , shaft diameter 3.17 mm, sterile, STERILE 		for single use, package of 5, for use with 60,000 rpm Craniotome Handpiece
	pediatric	medium	large
	360000 S	360000 M	360000 L





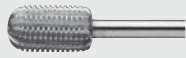



NEW

		252640	
	Single-use Cranial Perforator , with Hudson connector, sterile, STERILE 		for use with Perforator Handpiece 252640
Size	14/11 mm		11/7 mm
	252641		252642

Further information on handpieces and burrs is available in the Neurosurgery catalog.

Recommended KARL STORZ Standard Set Configuration for Craniotomy

- 40701701-1 UNIDRIVE® S III NEURO SCB**, motor control unit with color display, touch screen, two motor outputs, integrated irrigation pump and integrated SCB module, power supply 100-240 VAC, 50/60 Hz
- 20712033 High-Speed Micro-Motor**, max. speed 60,000 rpm, including connecting cable
- 252690 High-Speed Handpiece**, extra short, straight, 60,000 rpm
- 252691 High-Speed Handpiece**, short, straight, 60,000 rpm
- 252680 High-Speed Handpiece**, short, angled, 100,000 rpm
- 252681 High-Speed Handpiece**, medium, angled, 100,000 rpm
- 252660 High-Speed Handpiece**, extra short, angled, 60,000 rpm
- 252661 High-Speed Handpiece**, short, angled, 60,000 rpm

	 252680	 252681
	High-Speed Acorn , sterile, for single use, package of 5, for use with high-speed handpiece, 100,000 rpm STERILE 	
Diameter	short	medium
7.5 mm	350675 S	350675 M
9 mm	350690 S	350690 M
	High-Speed Barrel Burr , sterile, for single use, package of 5, for use with high-speed handpiece, 100,000 rpm STERILE 	
Diameter	short	medium
6 mm	350960 S	350960 M
9.1 mm	350991 S	350991 M
	High-Speed Neuro Fluted Burr , sterile, for single use, package of 5, for use with high-speed handpiece, 100,000 rpm STERILE 	
Diameter	short	medium
1.8 mm	350718 S	350718 M
3 mm	350730 S	350730 M

Further information on handpieces and burrs is available in the Neurosurgery catalog.

Recommended KARL STORZ Standard Set Configuration for Craniotomy

- 40701701-1 UNIDRIVE® S III NEURO SCB**, motor control unit with color display, touch screen, two motor outputs, integrated irrigation pump and integrated SCB module, power supply 100-240 VAC, 50/60 Hz
- 20712033 High-Speed Micro-Motor**, max. speed 60,000 rpm, including connecting cable
- 252690 **High-Speed Handpiece**, extra short, straight, 60,000 rpm
- 252691 **High-Speed Handpiece**, short, straight, 60,000 rpm
- 252680 **High-Speed Handpiece**, short, angled, 100,000 rpm
- 252681 **High-Speed Handpiece**, medium, angled, 100,000 rpm
- 252660 **High-Speed Handpiece**, extra short, angled, 60,000 rpm
- 252661 **High-Speed Handpiece**, short, angled, 60,000 rpm

	 252671	 252672
	High-Speed Diamond Burr , 60,000 rpm, sterile, for single use, package of 5 STERILE 	
Ø	extra long	super long
2 mm	320220 EL	320220 SL
3 mm	320230 EL	320230 SL
4 mm	320240 EL	320240 SL
	High-Speed Coarse Diamond Burr , 60,000 rpm, sterile, for single use, package of 5 STERILE 	
Ø	extra long	super long
2 mm	320320 EL	320320 SL
3 mm	320330 EL	320330 SL
4 mm	320340 EL	320340 SL

Further information on handpieces and burrs is available in the Neurosurgery catalog.



VITOM® 3D – 3D Visualization for Neurosurgery

The VITOM® 3D system provides many surgical disciplines with a revolutionary solution for the visualization of microsurgical and open surgical interventions. Application possibilities are similar to that of the operating microscope. The most important functions are controlled via the IMAGE1 PILOT which is mounted to the OR table in close proximity to the surgeon.

- Smaller, lighter and more compact than an operating microscope
- Lower acquisition costs and creates synergistic effects with endoscopy by using the same video tower – thus combining the benefits of endoscopy and microscopy
- Ergonomic work – the user is not confined to the eyepiece
- Improved workflow – the OR team can view the procedure in the same image quality as the surgeon

Overview



Note: VITOM® 3D can also be used for other fields of application such as, for example, ENT, HAND and PLASTIC SURGERY or SPINE SURGERY as well as conventional open surgery, e.g., CARDIOVASCULAR SURGERY.

VITOM® 3D – 3D Visualization for Neurosurgery



TH 200 **VITOM® 3D**, with zoom and focus function, integrated illumination and horizontal alignment, working distance 20-50 cm, fiber optic light transmission incorporated, suitable for wipe disinfection, for use with IMAGE1 S CONNECT™ + IMAGE1 S D3-LINK™ + IMAGE1 PILOT



TC 014 **IMAGE1 PILOT**, control unit with 3D wheel, 4 programmable function keys and USB port, for intuitive control of camera systems and connected units, for use with IMAGE1 S™ and VITOM® 3D TH 200

IMAGE1 PILOT is required for the use of VITOM® 3D.
VITOM® 3D and IMAGE1 PILOT are always used with a holding system.
Please note that special clamping jaws are required to mount VITOM® 3D to the holding system.

Specifications:

Sensor system	4K
Zoom	infinitely variable
Working distance (WD)	20-50 cm
Magnification (WD 30 cm with 32" 3D monitor)	approx. 8-30 x
Cleaning	wipe disinfection

VERSACRANE™ Holding System for the Convenient Positioning of VITOM®



28272 HSP **VERSACRANE™ Holding Arm**, high, mobile, spring-supported, with quick release coupling KSLOCK, for use with KARL STORZ clamping jaws. The VERSACRANE™ holding arm is intended for use with VITOM® scopes. including:

Mobile Stand, for VERSACRANE™ holding arm

WARNING: The VERSACRANE™ holding arm cannot be used with rigid endoscopes!

Accessories



28272 VTK **VITOM® 3D Clamping Jaw**, with ball joint and quick release coupling KSLOCK (male), for use with VITOM® 3D and KARL STORZ holding systems with quick release coupling KSLOCK



28272 VTP **VITOM® 3D Clamping Jaw**, for POINT SETTER, with dovetail connector, for use with VITOM® 3D and POINT SETTER holding system



495 VIT **Fiber Optic Light Cable**, with straight connector, extremely heat-resistant, enhanced light transmission, diameter 4.8 mm, length 550 cm

Note: The 550 cm long Light Cable 495 VIT is a necessary requirement for the VERSACRANE™.



TH 001* **Cover**, for VITOM® 3D, sterile, for single use, package of 10



TH 002 **VITOM® 3D Illuminator**, additional lighting for VITOM® 3D, with 1 adjustable lens, **autoclavable**, for use with VITOM® 3D and light cable



TH 003 **Protective Cover**, for use with VITOM® 3D and holding arm

Wire tray for reprocessing the VITOM® 3D illuminator



Set 2B

39502 ZH **Wire Tray**, stackable, with hole place walls

39502 LH **Lid**

39100 SH **Silicone Mat LARGE DIAMOND**

39100 PS **Fixation Pin**, package of 12

39360 AS **Silicone Tie-downs**, package of 12



Please note: The instruments displayed are not included in the wire tray.

IMAGE1 PILOT with Holding System for Fixation to the Operating Table



TC 014 **IMAGE1 PILOT**, control unit with 3D wheel, 4 programmable function keys and USB port, for intuitive control of camera systems and connected units, for use with IMAGE1 S™ and VITOM® 3D TH 200



28172 HR **Rotation Socket**, to clamp to the operating table, with one mounted Butterfly Nut 28172 HRS, for European and US standard rails, with lateral clamp for height and angle adjustment of the articulated stand



28272 HB **Articulated Stand**, reinforced version

04 1150-20* **Cover**, elasticated, 42 x 164 cm, sterile, for single use, package of 20, for use with KARL STORZ holding systems



Monitor



TM 330

32" 3D Monitor

including:

Monitor Power Supply, external, 24 V

Mains Cord

3x 3D Polarization Glasses, fogless, passive

Cable Cover



9832 SFH

Monitor Stand, for professional use, height-adjustable, tiltable, rotation +/-30°, disinfestable, color white, with VESA 200 adaptor, for use with 32" 3D Monitor TM 330



9800 GF

3D Polarization Glasses, fogless, passive, package of 2, for use with 3D monitors



9800 C

3D Clip-on Glasses, circularly polarized

It is recommended to check the suitability of the product for the intended procedure prior to use.



THE DIAMOND STANDARD

KARL STORZ SE & Co. KG
Dr.-Karl-Storz-Straße 34, 78532 Tuttlingen/Germany
Postbox 230, 78503 Tuttlingen/Germany
Phone: +49 (0)7461 708-0
Fax: +49 (0)7461 708-105
E-Mail: info@karlstorz.com
www.karlstorz.com